



[www.kirkkey.com](http://www.kirkkey.com)

**Luft Brasil Ind. Com. Ltda**

R. Dom Andrés Lamas, 56

Tataupé São Paulo - SP

(11) 3795-0000

[www.luftbrasil.com.br](http://www.luftbrasil.com.br)



**Type SA3**

## **Switchgear Adapter Interlock**



The MD Series SA3 switchgear adapter interlock has a 5/16" (8mm) square, 3/8" (9.5mm) long shaft that is controlled by the robust MD Series key. The SA3 is attached to the interlock provisions by way of (4) 10-32 tapped holes in the bottom of the lock cylinder. The interlock can be ordered with the shaft rotating clockwise or counterclockwise. Multiple degrees of rotation are available also.

All components of the lock body and the key are made from 316 stainless steel.

### OPTIONS

- Rotation to Trap Key – clockwise or counterclockwise.
- Degree of Rotation – 45, 65, 90 or 120 degrees are possible.
- Shaft Size - 5/16" (8mm) square is standard. Other sizes are available – please specify.
- Shaft Length - 3/8" (9.5mm) is standard. Other lengths are available – please specify.
- Stamp Key Interchange - specify an alphanumeric code to be stamped on the cylinder face and the key (e.g. A1, A2, B1, etc. - up to 5 characters). See MD Series Data Sheet for Keys (3.4) and Terminology (4.1) for details.
- Dust Covers - see MD Series Data Sheet for Dust Covers (3.1) for details.

# MD SERIES - SPECIFICATION DATA SHEET 1.17



www.kirkkey.com

Luft Brasil Ind. Com. Ltda

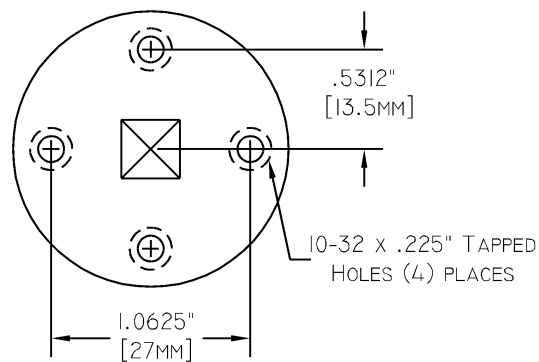
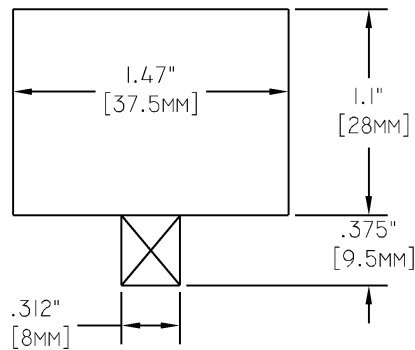
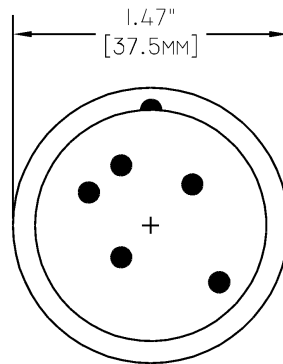
R. Dom Andrés Lamas, 56  
Tataupé São Paulo - SP  
(11) 3795-0000

[www.luftbrasil.com.br](http://www.luftbrasil.com.br)



**Type SA3**

## Switchgear Adapter Interlock



# MD SERIES - SPECIFICATION DATA SHEET 1.17



www.kirkkey.com

**Luft Brasil Ind. Com. Ltda**

R. Dom Andrés Lamas, 56  
Tataupé São Paulo - SP  
(11) 3795-0000

[www.luffbrasil.com.br](http://www.luffbrasil.com.br)



**Type SA3**

## Switchgear Adapter Interlock

### SA3 Switchgear Adaptor Interlock Ordering Guide

